



GFS-122153D1/122153D1H

30X Full HD IR Network Speed Dome Camera

Key Features

- Full HD(1920x1080) Resolution
- Optical Zoom 30X, Digital Zoom 16X
- Long Range IR LED with Synchronization(up to 400mm)
- True WDR, True Day & Night
- Max. 380°/sec Speed(Preset)
- Preset(256), Tour(8), Pattern(8), Privacy(16), Motion(16)
- Alarm Input(4), Alarm Output(1), Audio Input(1), Audio Output(1)
- VCA(DIS, Defog, Face Detector, Tampering, Line Detector, Field Detector)
- SD Card Up to 32GB
- PoE, 12VDC, 24VAC
- IP66

Technical Specifications

Model	GFS-122153D1	GFS-122153D1H
IMAGE		
Lens	Optical Zoom 30X, 4.3~129mm	
Angle of View	65.1~2.23°(H)	
Image Sensor	Type	1/2.8" SONY STARVIS CMOS Sensor
	Pixels	1945(H)x1097(V)
Min. Illumination	Color : 0.35Lux / BW : 0.013Lux@50IRE, 0Lux(IR LED On)	
Scanning Mode	Progressive Scan	
Wide Dynamic Range	True WDR	
Day and Night Mode	True Day & Night	
Noise Reduction	3DNR	
Digital Zoom	16X	
Exposure Control	Auto, Manual, Shutter Priority, Iris Priority	
White Balance Control	Auto, Fluorescent, Incandescent, Outdoor, Manual	
Back Light Compensation	Yes	
Image Effect	Flip	
Shutter Speed	25/30fps : Auto(1/30,000~x8sec), Manual 50/60fps : Auto(1/50,000~x8sec), Manual	
IR Illuminator	Quantity	Synchronized IR LED, Fixed IR LED
	Angle	5~60°
	Distance	Up to 400m
VIDEO/AUDIO		
Compression	H.264(Baseline, Main, High Profile), MJPEG	
Bitrate Control	CVBR, VBR	
Resolution	1920x1080, 1280x1024, 1280x720/960, 704x480/576, 640x360/480, 320x240	
Frame Rate	Max. 50/60fps	
Streaming	50/60fps(Dual Stream : H.264x1, MJPEGx1) 25/30fps(Triple Stream : H.264x2, MJPEGx1)	
Audio Compression	G.711	
Audio Streaming	2 Way	
PTZ FUNCTION		
Pan Range	360° Endless	
Pan Speed	Max. 380°/sec.(Preset)	
Tilt Range	-10~90°	
Tilt Speed	Max. 380°/sec.(Preset)	
Preset	256	
Tour	8	
Pattern	8	
Home Function	Yes	
SYSTEM		
Video Contents Analysis	DIS, Defog, Face Detector, Tampering, Line Detector, Field Detector	
Motion Detection Area	16 Programmable Area(Include Area 8, Exclude Area 8)	
Privacy Masking	16 Programmable Zone	
FTP Uploading	MJPEG	
Event Notification	E-mail, FTP, Notification Server, XML Notification, Audio Alert, AIHM	
Audio Alert	User-Defined 3 Audio Files	
Login Authority	Administrator, Operator, Guest	
Event Buffering	FTP	Pre : 30sec, Post : 30sec
	SD Record	Pre : 10sec, Post : 60sec
Manual Trigger	4 Programmable Trigger	
Security	Multi User Authority, IP Filtering, HTTPS, SSL	
Network Time Sync	NTP Server, Synchronized Computer, Manual	
Software Reset	Restart, Reset, Factory Default	
Hardware Factory Reset	Yes	
Auto Recovery	Backup, Restore	
Remote Upgrade	Web Browsing(IE, Chrome, Safari, Firefox), SmartManager, NC-Titanium	
SD Recording Mode	Event, Continuous	
NETWORK		
Protocol	TCP/IP, UDP, IPv4/v6, HTTP, HTTPS, QoS, FTP, UPnP, RTP, RTSP, RTCP, DHCP, ARP, Zeroconf, Bonjour	
Client Software	Web, SmartManager, NC-Titanium, Tive HD	
Max. User Connection	Live : 10 Users, Playback : 3 Users	
API Support	Open API, Onvif Compliance	
Mobile Support	Tive HD(Android, iOS)	
EXTERNAL IN/OUT		
Audio	1 Input, 1 Output(RCA Mono Jack)	
Alarm	4 Input, 1 Output	
Ethernet	RJ-45(10/100Base-T)	
u-SD Card	SDHC(Max. 32GB)	
ETC		
Operating Humidity	0~90% RH(Non-Condensing)	
Operating Temperature	-30~+65°C	
Power Supply	PoE(Injector), 12VDC	
Power Consumption	500mA(28W)@PoE 2,300mA(28W)@12VDC	
Power Consumption	2,600mA(38W)@24VAC	
Dimension	201.8(Ø)x313(H)mm	
Net Weight	Approx. 4.9kg	
Ingress Protection	IP66	



Key Functions

- Auto Exposure, Auto White Balance
- Triple Stream(H.264, MPEG4, MJPEG)
- Onvif Profile S
- Easy Install : Zero Configuration, Discovery, PoE
- Event Boosting, FTP Image Upload, Web Casting, Open VPN, QoS, IP Filtering
- Cross Web Browsing(IE, Safari, Firefox, Chrome)
- Privacy Masking
- AIHM Event
- Event Buffering

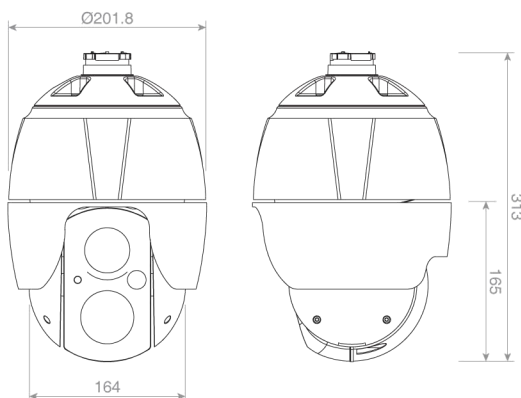
Software

- SmartManager
- NC-Titanium
- Tive HD
- Titanium Plus VMS

Optional Accessory

- HDB241(Housing Ceiling Bracket)
- HDB242E(Housing Wall Bracket)

Dimension



Unit: mm



Manufacturer by
HITRON INC.
135-220, HITRON B/D 726-5, SUSEO-DONG, KANGNAM-GU, SEOUL, KOREA
T: 02-3410-9330~1 / F: 02-459-7586 / E: inquiry@hitron.co.kr

Specifications are subject to change without notice.