

Eyeball Camera

Day/Night, 700 TV Lines, 24 IR LEDs, Outdoor Eyeball Camera



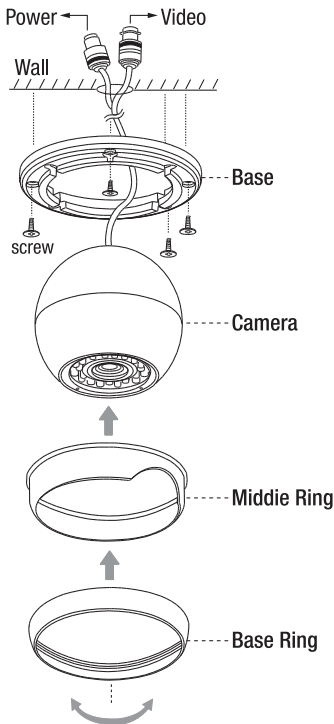
NUVICO



KEY FEATURES

- 1/3" CCD Sensor
- 700 TV Lines
- 2.9mm Fixed Lens
- Day/Night Functionality
- 24 IR LEDs
- 0.2 Lux (Color), 0.00 Lux (IR LEDs on)
- 12VDC

SETTING & INSTALLATION



TECHNICAL SPECIFICATIONS

Technical Specifications	CE-HD2N-L
Video Format	NTSC / PAL
Image Sensor	1/3" CCD
Horizontal Resolution	700 TV Lines
Day/Night Functionality	Yes
Lens Type (DC Auto Iris)	Fixed 2.9mm
IR LEDs	24
IR LEDs Distance	Up to 35ft.
LEDs Illumination Angle	80°
Sync System	Internal
Effective Pixels (HxV)	976(H) x 494(V)
Scanning System	2:1 Interlaced
Electronic Shutter	1/60 ~ 1/100,000 sec.
Main Video Output	1.0 Vp-p Composite, 75 ohm
Minimum Illumination	0.2 Lux (Color), 0.00 Lux (IR LEDs on)
S/N Ratio	More than 52dB (AGC Off)
White Balance	ATW
General Information	CE-HD2N-L
Operating Temperature	23°F ~ 113°F (-5°C ~ +45°C)
Operating Humidity	Within 90% RH
Power Consumption	12W (LEDs On), 4W (Camera Only)
Input Voltage	12VDC

WARNING

- *Must use specified and regulated 12VDC power supply.
- *Make sure to use power leads already supplied with the camera.
- If cables coming out of the camera are spliced, Warranty will be voided.

*Specifications are subject to change without any prior notice.

DIMENSIONS

Unit: Inches (mm)

