

NUVICO®



Vandalproof 12X IP Mini PTZ NC-2M-MPOV12



HD 1080p

Key Features

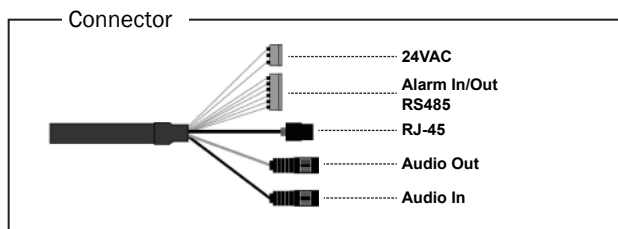
- 1/2.8" CMOS Sensor
- 2MP (1080p) @ 60fps
- 12x A/F Optical Zoom (4.8mm~57.6mm)
16x Digital Zoom
- Day/Night Functionality with ICR
- IP66 rated
- Digital Noise Reduction: DNR
- WDR
- Auto White Balance: AWB
- Built-in Fan & Heater
- Built-in PoE / 24VAC
- Remote Zoom/Focus Control over IP Connection
- Onvif supported

Construction

- 4" Polycarbonate Bubble
- Surface Mount Housing (Standard)
- Impact Resistant Dome w/Aluminum Housing
- Weatherproof - IP66
- Aluminum Mounting Accessories (Optional)
- Built-in Fan & Heater
- Compact Size

Available Accessories

- EA-WM100: Outdoor Wall Mount

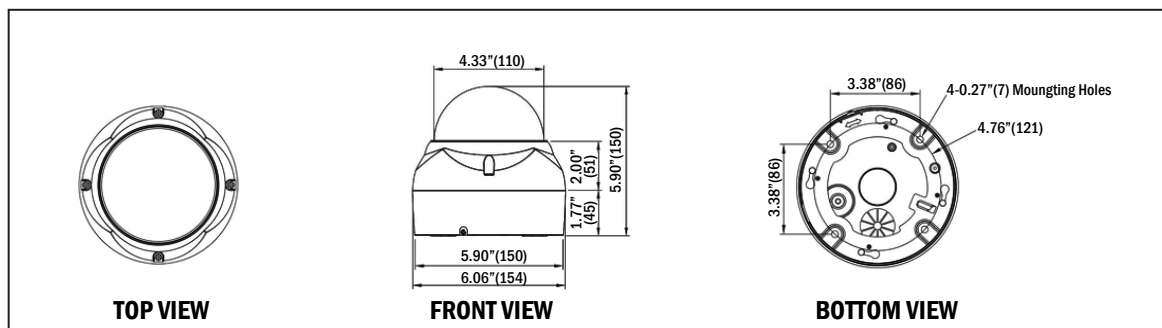


Technical Specification

Vandalproof IP PTZ Dome	NC-2M-MPOV12
Resolution	2MP (1080p)
Image Sensor	1/2.8" CMOS
Day/Night Functionality	Yes w/ ICR
Angle of View	12X A/F Optical
Video Compression	H.264 / MJPEG
Frame Rate	60pps
Feature	WDR, AWB, BLC, DVR
Security	Password Protection, IP Filtering, HTTPS, SSL
Pan Range	360° Continuous
Pan Speed	Preset: Max. 380°/sec, Manual: Max. 380°/sec
Tilt Range	180° (0°~180°)
Tilt Speed	Preset: Max. 380°/sec, Manual: Max. 380°/sec
Preset	240
Audio In/Out	In x 1 / Out x 1 (G.711)
Alarm In/Out	In x 1 / Out x 1
RS485	RS485
Ethernet	10/100Mbps
General Information	NC-2M-MPOV12
Operating Temperature	-22°F to 122°F (-30°C ~ 50°C)
Power Consumption	1.5A (22W) @ 24VAC
Input Voltage	PoE, 24VAC

*Specifications are subject to change without any prior notice

Dimensions (inch:mm)



NC-2M-MPOV12