

NUVICO



EasyNet™ HD Weatherproof Bullet EC-2M-B3N

**HD**

Key Features

- 1/3" CMOS Sensor
- 2MP (1080p)
- 3.7mm Fixed Lens
- Day/Night Functionality with ICR
- 20 IR LEDs (Up to 50ft.)
- Digital Noise Reduction: DNR
- Back Light Compensation: BLC
- Auto White Balance: AWB
- Service Monitor Output (PC-less IP Configuration)
- Built-in PoE / 24VAC

Construction

- 3-Axis Bracket
- Weatherproof Aluminum Housing

Available Accessories

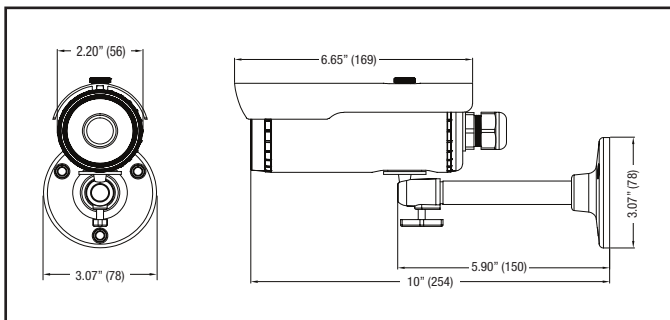
- CA-ORC: Service Monitor and OSD Controller Cable

Technical Specification

EasyNet™ HD Weatherproof Bullet	EC-2M-B3N
Resolution	2MP (1080p)
Image Sensor	1/3" CMOS
Day/Night Functionality	Yes
Lens Type (DC Auto Iris)	Fixed 3.7mm
Angle of View	93°
IR LEDs	20
IR LEDs Distance	Up to 50ft.
LEDs Illumination Angle	80°
Video Compression	H.264 / MJPEG
Frame Rate	30fps
Electronic Shutter	1/30 ~ 1/20,000 sec.
Service Monitor Output	1.0 Vp-p Composite, 75 ohm
Minimum Illumination	2.5 Lux (Color), 0.2 Lux (B/W)
Composite Output	Yes
Micro SD Slot	Yes
Power Over Ethernet (PoE)	IEEE 802.3af compliant
Camera Control & Setup	E. Adjustments - Zoom and Focus
General Information	EC-2M-B3N
Operating Temperature	23°F ~ 113°F (-5°C ~ +45°C)
Operating Humidity	Within 90% RH
Power Consumption	12W / 1 Amp (LEDs On) 4W / 500mA (Camera Only)
Input Voltage	24VAC Voltage

*Specifications are subject to change without any prior notice.

Dimensions (Inch:mm)



EC-2M-B3N